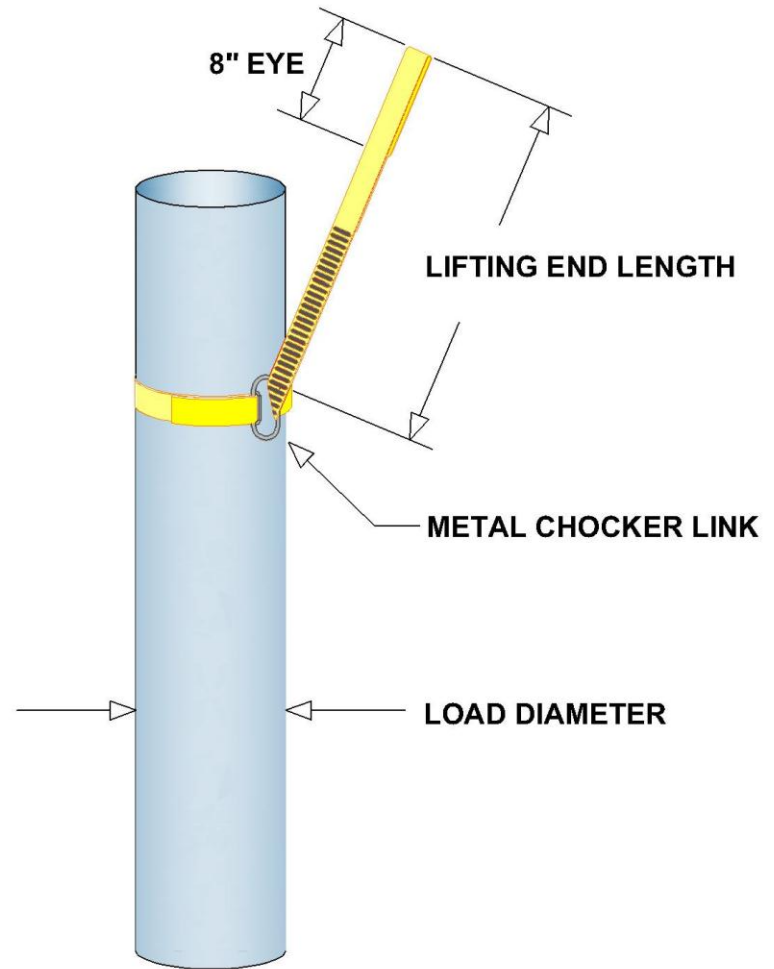


BOAGRIP FIT CHART

BG2900-15-70

MAXIMUM LOAD 2,900 POUNDS (1,312 KG)

LOAD DIAMETER		LIFTING END LENGTH	
INCHES	mm	INCHES	mm
4	101.6	57	1459.6
5	127.1	54	1379.8
6	152.5	51	1300.0
7	177.9	48	1220.2
8	203.3	45	1140.4
9	228.7	42	1060.6
10	254.1	39	980.8
11	279.5	35	901.0
12	304.9	32	821.3
13	330.3	29	741.5
14	355.7	26	661.7
15	381.2	23	581.9



GREENBANK, WASHINGTON

800-327-7639

www.safeshop.com